

Rotary rinsers or air blowers For new bottles

CAPACITIES : 40 TO 400 BOTTLES PER MINUTE



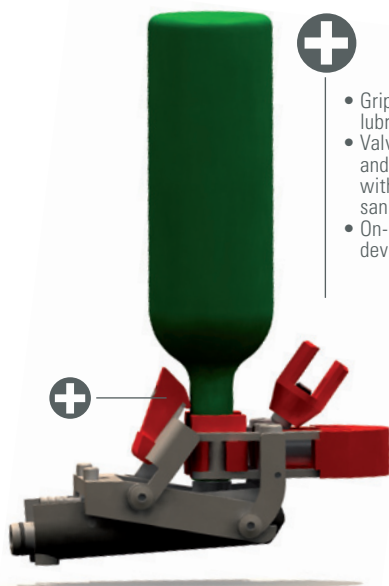
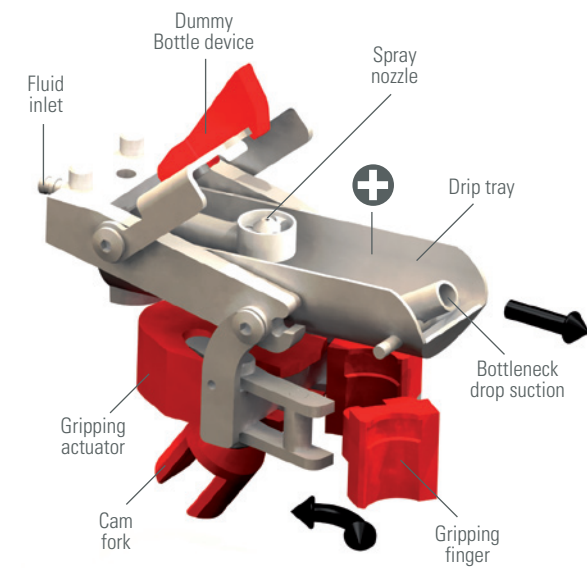
Non contractual picture

StoneINDUSTRIE

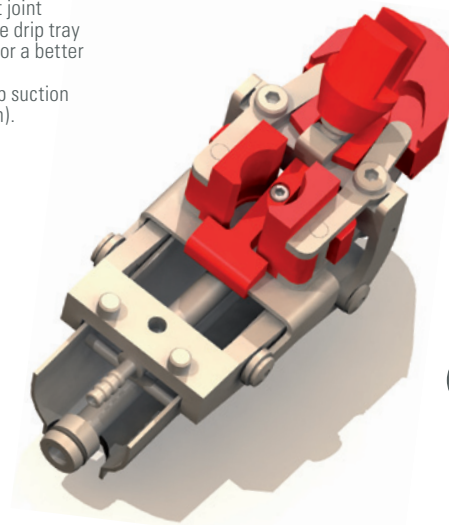
CUSTOMIZED BOTTLING SOLUTIONS

Rotary rinsers or air blowers for new bottles

Bottle gripping head



- Gripping system without lubrication.
- Valve without joint and removable drip tray without tool for a better sanitation.
- On-board drop suction device (option).



- The dummy bottle device closes the spray nozzle for an optimized chemical or thermal sterilization.

Principle

- Rinsing or air blowing of the interior of the bottle.
- Infeed by endless worm and starwheel.
- Bottle gripping ability by the neck.
- Turning over above an internal spray nozzle :
 - of water : rinser version.
 - of air : air blower version.
 - of recycled solution : product rinser version.
- Draining off with drop-break.
- Turning down and exit.

Features

- Electrical height control.
- Safety devices on infeed worm, infeed and outfeed starwheels.
- Gripping fingers removable without tools.
- Machine-cover and electrical box stainless steel made.

Options

- Laminar flow of sterile air.
- Universal starwheels and gripping fingers (according to sample).
- Water recycling system.
- On-board bottleneck drop suction device.

Number of heads	Capacities (75 cl BpM)		Installed power kW	Consumption	
	Rinser	Air blower		Water l/h Rinser	Air Nm3/h Air blower
14	40	85	1,3	250	20
18	65	130	1,3	400	30
24	100	165	1,3	600	45
30	130	200	1,3	800	60
36	165	250	1,3	1 000	75
44	215	335	2,4	1 300	90
52	265	415	2,4	1 600	120
60	335	500	2,4	2 000	150

Because equipment is constantly improved, above specifications can change without notice.